

Grid fee

This section contains and describes the different stages in grid fee management. From its registration and distribution to aggregation and possible requests.

[Market Process](#)

[BRS](#)

Filter: Retailer Grid owner ESCO Hub internal Balance Responsible

Market Process

[Register and distribute grid fees](#)

Grid owner

Retailer

[Request grid fee](#)

Grid owner

Retailer

[Aggregate and distribute grid fees](#)

Grid owner

Retailer

[Request aggregated grid fees](#)

Grid owner

Retailer

Reviewed: 2020-09-17

Terminology

Would you like to learn more about the terminology? Download [Terms and definitions](#) 

Register and distribute grid fees

Process description

This process describes the registration of grid fees by a grid owner and the distribution of these by the data hub.

Requirements

- [BRS-SE-811](#) Register grid fee
- [BRS-SE-841](#) The retailer receives grid fee

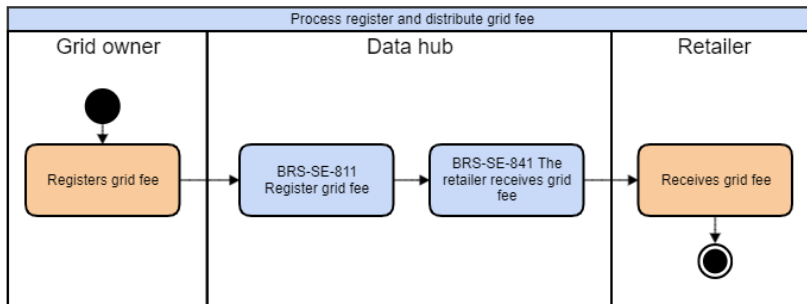


Figure. Diagram - Process register invoice line

Context

- The process starts when a grid owner registers a grid fee through [BRS-SE-811](#) Register grid fee.
- When [BRS-SE-811](#) Register grid fee is executed, [BRS-SE-841](#) The retailer receives grid fee, which distributes grid fees, is triggered.

Scenario overview

Market process scenarios	Description	Implemented steps - R1
8811 - Sc 1	A grid owner registers a grid fee	0/4

Scenarios

Scenario 1 - A grid owner registers a grid fee

Step	Description	Rule #	Implemented
8811 - Sc-1.1	BRS-SE-811 Register grid fee	BRS811-1	
8811 - Sc-1.2	The data hub responds with a successful response	BRS811-3	
8811 - Sc-1.3	BRS-SE-841 The retailer receives grid fee	BRS841-1	
8811 - Sc-1.4	The retailer receives the grid fee	BRS841-2	

Request grid fee

Process description

This process describes how a retailer or a grid owner requests grid fees.

Requirements

- **BRS-SE-842** The retailer requests grid fee
- **BRS-SE-861** The grid owner requests grid fee

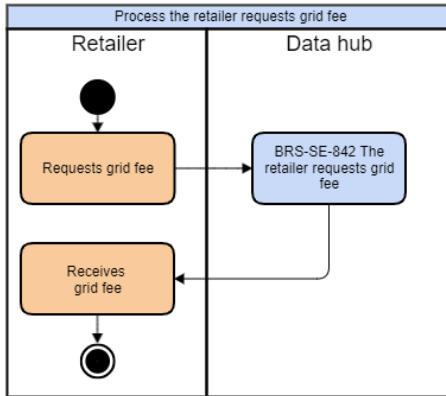


Figure. Process the retailer requests grid fee

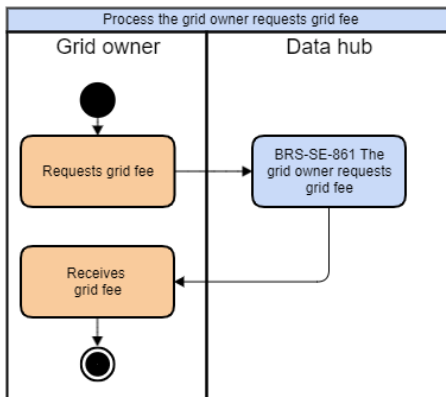


Figure. Process the grid owner requests grid fee

Context

- A retailer or a grid owner requests grid fees to ensure that they have received all the grid fees they need.

Scenario overview

Market process scenarios	Description	Implemented steps - R1
8813 - Sc 1	A retailer requests grid fee	0/2
8813 - Sc 2	A grid owner requests grid fee	0/2

Scenarios

Scenario 1 - A retailer requests grid fee

Step	Description	Rule #	Implemented
8813 - Sc-1.1	BRS-SE-842 The retailer requests grid fee	BRS842-1	
8813 - Sc-1.2	The data hub responds with a grid fee	BRS842-2	

Scenario 2 - A grid owner requests grid fee

Step	Description	Rule #	Implemented
8813 - Sc-2.1	BRS-SE-861 The grid owner requests grid fee	BRS861-1	
8813 - Sc-2.2	The data hub responds with a grid fee	BRS861-2	

Reviewed: 2020-09-16

Aggregate and distribute grid fees

Process description

This process describes how the data hub aggregates grid fees and distributes them.

Requirements

- [BRS-SE-8000](#) The data hub aggregates grid fees
- [BRS-SE-844](#) The retailer receives aggregated grid fees
- [BRS-SE-863](#) The grid owner receives aggregated grid fees

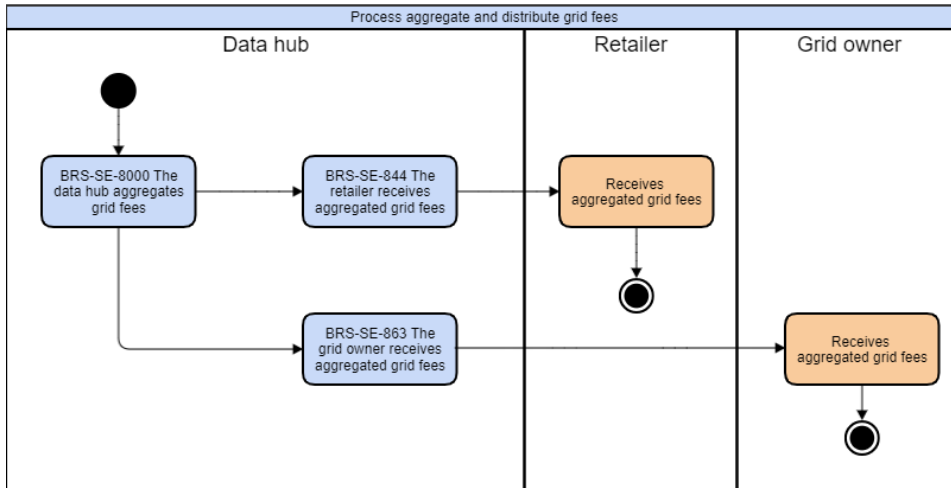


Figure. Process aggregate and distribute grid fees

Context

- The process starts by the data hub at the sixth day of the month. [BRS-SE-8000](#) The data hub aggregates grid fees aggregates the registered grid fees and [BRS-SE-844](#) The retailer receives aggregated grid fees and [BRS-SE-863](#) The grid owner receives aggregated grid fees distribute them to the retailer and the grid owner.

Scenario overview

Market process scenarios	Description	Implemented steps - R1
8000 - Sc 1	Aggregate and distribute grid fees	0/6

Scenarios

Scenario 1 - The data hub aggregates grid fees

Prerequisites example:

- 8811 - Sc 1 - A grid owner registers a grid fee

Step	Description	Rule #	Implemented
8000 - Sc-1.1	BRS-SE-8000 The data hub aggregates grid fees	BRS8000-1	
8000 - Sc-1.2	The data hub stores the result of the aggregated grid fees	BRS8000-2	
8000 - Sc-1.3	BRS-SE-844 The retailer receives aggregated grid fees	BRS844-1	
8000 - Sc-1.4	The retailer receives aggregated grid fees	BRS844-2	
8000 - Sc-1.5	BRS-SE-863 The grid owner receives aggregated grid fees	BRS863-1	
8000 - Sc-1.6	The grid owner receives aggregated grid fees	BRS863-2	

Reviewed: 2020-09-16

Request aggregated grid fees

Process description

This process describes how a retailer or a grid owner requests aggregated grid fees.

Requirements

- **BRS-SE-843** The retailer requests aggregated grid fees
- **BRS-SE-862** The grid owner requests aggregated grid fees

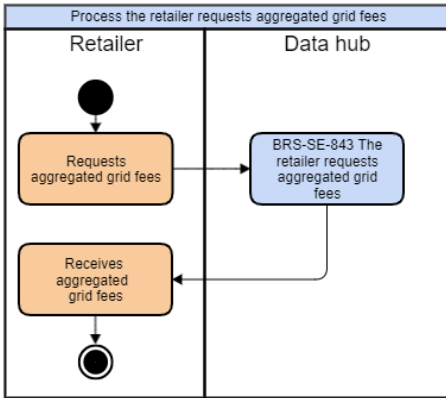


Figure. Process the retailer requests aggregated grid fees

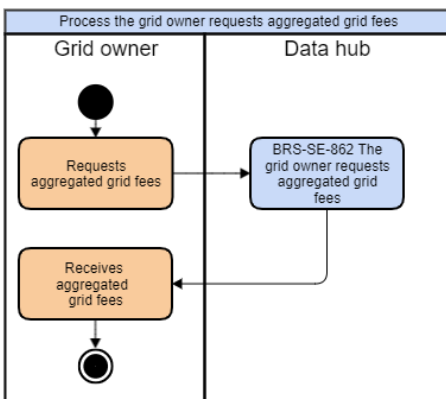


Figure. Process the grid owner requests aggregated grid fees

Context

- A retailer or a grid owner requests aggregated grid fees and receives them.

Scenario overview

Market process scenarios	Description	Implemented steps - R1
8814 - Sc 1	A retailer requests aggregated grid fees	0/2
8814 - Sc 2	A grid owner requests aggregated grid fees	0/2

Scenarios

Scenario 1 - A retailer requests aggregated grid fees

Step	Description	Rule #	Implemented
8814 - Sc-1.1	BRS-SE-843 The retailer requests aggregated grid fees	BRS843-1	
8814 - Sc-1.2	The data hub responds with aggregated grid fees	BRS843-2	

Scenario 2 - A grid owner requests aggregated grid fees

Step	Description	Rule #	Implemented
8814 - Sc-2.1	BRS-SE-862 The grid owner requests aggregated grid fees	BRS862-1	
8814 - Sc-2.2	The data hub responds with aggregated grid fees	BRS862-2	

Reviewed: 2020-09-16