

Grid tariff

This section contains and describes the life cycle of grid tariff administration. It describes the grid owner's registration process, both of a new grid tariff and possible updates of it, and also how the grid tariff is assigned to one or more metering grid areas. Further it's described how the data hub distributes the registered information and how actors can request it.

[Market Process](#)

[BRS](#)

Filter: Retailer Grid owner ESCO Hub internal Balance Responsible

Business Requirement Specification (BRS)

815 - Register grid tariff	Grid owner
816 - Update grid tariff	Grid owner
819 - Assign grid tariff to metering grid area	Grid owner
845 - The retailer receives grid tariff information	Retailer
846 - The retailer requests grid tariff information	Retailer
864 - The grid owner requests grid tariff information	Grid owner
881 - The ESCO receives grid tariff information	ESCO
882 - The ESCO requests grid tariff information	ESCO

Reviewed: 2020-09-18

Terminology

Would you like to learn more about the terminology? Download [Terms and definitions](#) ↓

Register grid tariff

Purpose

This BRS describes how a grid owner registers a grid tariff. A grid tariff is a price list consisting of grid tariff elements which together describe the cost or compensation for using the grid.

Note: High voltage contracts are complicated and the price is often set individually. Customers on high voltage sites and larger production sites need to sign a grid contract prior to the retailer contract. The purpose of registering individual grid tariffs or supporting the full complexity of high voltage grid tariffs must be discussed.

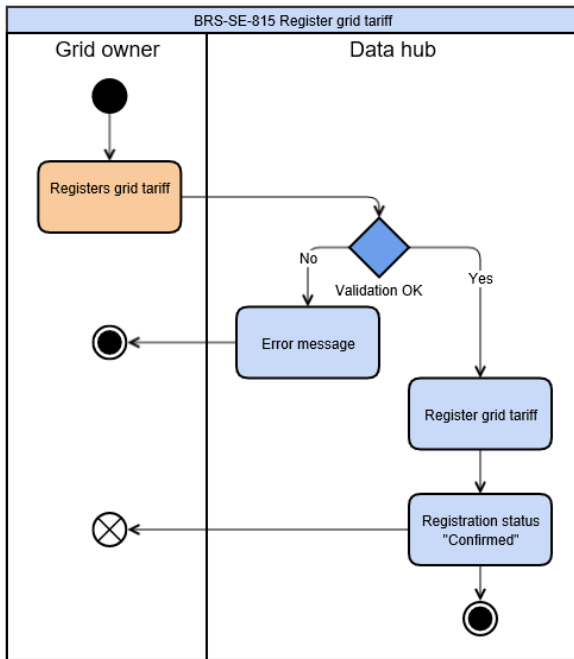


Figure. BRS-SE-815 Register grid tariff

Constraints

Start conditions

Rule #	Description	Implemented
BRS815-1	A grid owner has registered a grid tariff	

Stop conditions

If accepted

Rule #	Description	Implemented
BRS815-4	The data hub has registered the grid tariff	
BRS815-5	The data hub has responded with a successful response	

If rejected

Rule #	Description	Implemented
BRS815-8	The data hub has responded with an error message according to the business rules	

Business rules

Rule #	Description	Error message	Implemented
BRS815-10	The grid tariff identifier must not exist in the data hub	The grid tariff identifier already exists in the data hub	
BRS815-11	The validity start date must at the earliest be at the previous day shift	The validity start date is earlier than the previous day shift	

Flows

Normal flow

Rule #	Description	Implemented
BRS815-20	The grid owner registers a grid tariff	
BRS815-21	The data hub responds with a successful response	

Exception flow

Rule #	Description	Implemented
BRS815-25	The data hub responds with an error message according to the business rule	

Content in information flows

From grid owner

From Terms and definitions	C	M
Grid tariff ID	R	1
Grid tariff name	R	1
Validity date - start	R	1
Validity date - end	O	0..1
Additional information	O	0..1
Grid tariff element ID	R	1..*
Grid tariff element name	R	1..*
Unit price	R	1..*
Price unit	R	1..*
VAT rate	R	1..*
Calendar function	R	1..*

Update grid tariff

Purpose

This BRS describes how a grid owner updates a grid tariff, e.g. when there is a price change for an existing grid tariff.

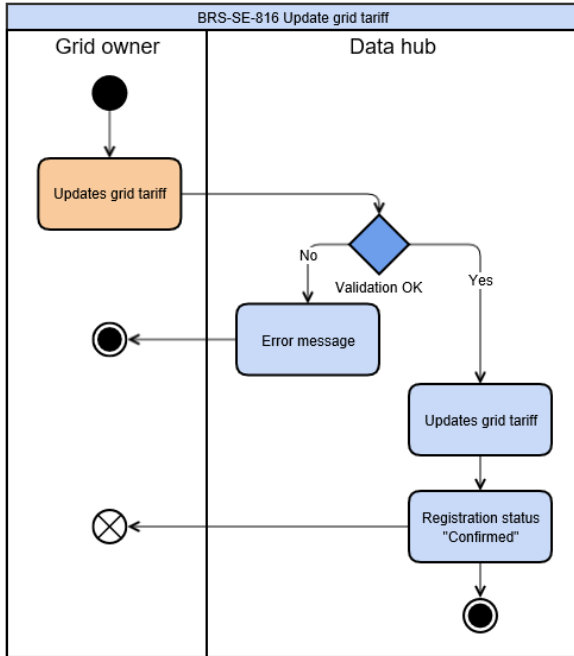


Figure. BRS-SE-816 Update grid tariff

Constraints

Start conditions

Rule #	Description	Implemented
BRS816-1	A grid owner has updated a grid tariff	

Stop conditions

If accepted

Rule #	Description	Implemented
BRS816-4	The data hub has updated the grid tariff	
BRS816-5	The data hub has responded with a successful response	

If rejected

Rule #	Description	Implemented
BRS816-8	The data hub has responded with an error message according to the business rules	

Business rules

Rule #	Description	Error message	Implemented
BRS816-10	The grid tariff identifier must exist in the data hub	The grid tariff ID does not exist in the data hub	
BRS816-11	The validity start date must at the earliest be at the previous day shift	The validity start date is earlier than the previous day shift	
BRS816-12	The validity end date must be later then the validity start date	The validity end date is earlier than the validity start date	

Flows

Normal flow

Rule #	Description	Implemented
BRS816-20	The grid owner updates the grid tariff	
BRS816-21	The data hub responds with a successful response	

Exception flow

Rule #	Description	Implemented
BRS816-25	The data hub responds with an error message according to the business rule	

Content in information flows

From grid owner

From Terms and definitions	C	M
Grid tariff ID	R	1
Grid tariff name	R	1
Validity date - start	R	1
Validity date - end	O	0..1
Additional information	O	0..1
Grid tariff element ID	R	1..*
Grid tariff element name	R	1..*
Unit price	R	1..*
Price unit	R	1..*
VAT rate	R	1..*
Calendar function	R	1..*

Assign grid tariff to metering grid area

Purpose

This BRS describes how a grid owner connects a grid tariff to a metering grid area.

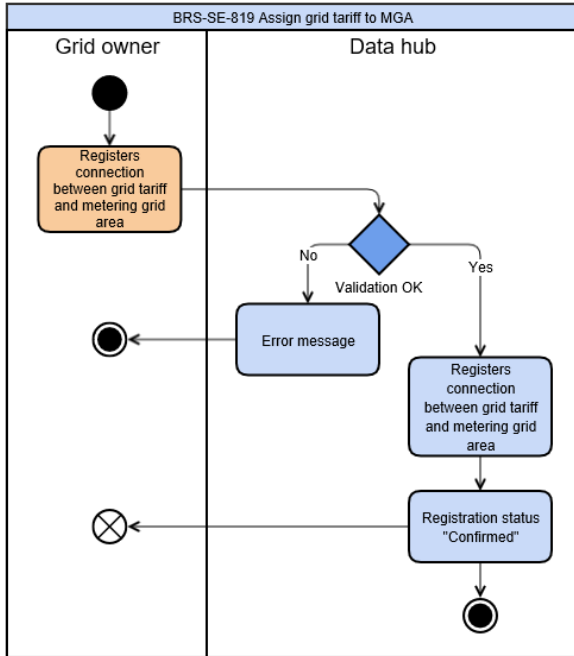


Figure. BRS-SE-819 Assign grid tariff to MGA

Constraints

Start conditions

Rule #	Description	Implemented
BRS819-1	A grid owner has registered a grid tariff connection to zero or many metering grid areas	

Stop conditions

If accepted

Rule #	Description	Implemented
BRS819-4	The data hub has registered the connection between grid tariff and metering grid areas	
BRS819-5	The data hub has responded with a successful response	

If rejected

Rule #	Description	Implemented
BRS819-8	The data hub has responded with an error message according to the business rules	

Business rules

Rule #	Description	Error message	Implemented
BRS819-10	The grid tariff identifier must exist in the data hub	The grid tariff ID does not exist in the data hub	
BRS819-11	The reporting grid owner must be the owner of the specified metering grid area(s)	The reporting grid owner is not the owner of one or many of the specified metering grid area(s)	
BRS819-12	The validity start date must at the earliest be at the previous day shift	The validity start date is earlier than the previous day shift	
BRS819-13	The validity end date must be later then the validity start date	The validity end date is earlier than the validity start date	

Flows

Normal flow

Rule #	Description	Implemented
BRS819-20	The grid owner registers a connection between a grid tariff and a metering grid area	
BRS819-21	The data hub responds with a successful response	

Exception flow

Rule #	Description	Implemented
BRS819-25	The data hub responds with an error message according to the business rule	

Content in information flows

From grid owner

From Terms and definitions	C	M
Grid tariff ID	R	1
Metering grid area ID	R	0..*
Validity date - start	R	1
Validity date - end	O	0..1

Reviewed: 2020-09-18

The retailer receives grid tariff information

Purpose

This BRS describes how the data hub distributes grid tariff information to retailers connected to an accounting point affected by the updated grid tariff.

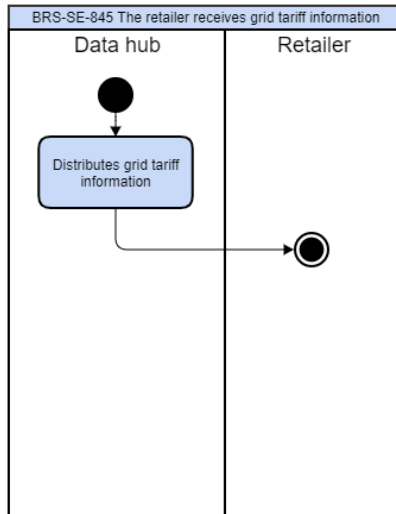


Figure. *BRS-SE-845* The retailer receives grid tariff information

Constraints

Start conditions

Rule #	Description	Implemented
BRS845-2	BRS-SE-816 Update grid tariff has been executed	

Stop conditions

Rule #	Description	Implemented
BRS845-5	The data hub has sent grid tariff information to retailers connected to an accounting point affected by the updated grid tariff	

Business rules

No validation will be done in the data hub for this process since all validation rules will be performed in other processes.

Flows

Normal flow

Rule #	Description	Implemented
BRS845-10	The data hub sends grid tariff information to affected retailers	

Exception flow

Rule #	Description	Implemented
BRS845-14	The data hub responds with an error message according to the business rule	

Content in information flow

From data hub

From Terms and definitions	C	M
Grid tariff ID	R	1
Grid tariff name	R	1
Validity date - start	R	1
Validity date - end	R	1
Additional information	R	1
Grid tariff element ID	R	1..*
Grid tariff element name	R	1..*
Unit price	R	1..*
Price unit	R	1..*
VAT rate	R	1..*
Calendar function	R	1..*
Validity date - start	R	1..*
Validity date - end	R	1..*

Reviewed: 2020-09-18

The retailer requests grid tariff information

Purpose

This BRS describes how a retailer requests registered grid tariff information from the data hub.

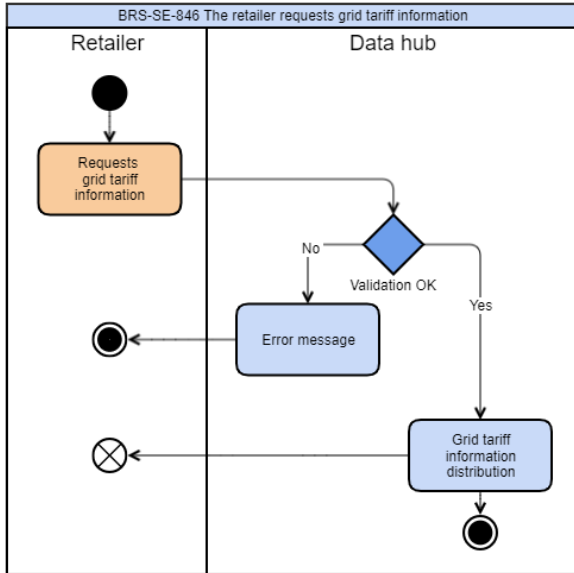


Figure. BRS-SE-846 The retailer requests grid tariff information

Constraints

Start conditions

Rule #	Description	Implemented
BRS846-2	A retailer has requested grid tariff information	

Stop conditions

If accepted

Rule #	Description	Implemented
BRS846-5	Grid tariff information for the specific grid tariff identifier has been distributed to the retailer	
BRS846-6	Grid tariff information for all grid tariffs in the specified metering grid area has been distributed to the retailer	

If denied

Rule #	Description	Implemented
BRS846-7	The data hub has responded with an error message according to the business rule	

Business rules

Rule #	Description	Error message	Implemented
BRS846-10	The grid tariff identifier must exist in the data hub	The grid tariff ID does not exist in the data hub	

Flows

Normal flow

Rule #	Description	Implemented
BRS846-15	A retailer requests grid tariff information	
BRS846-16	The data hub responds with grid tariff information	

Exception flow

Rule #	Description	Implemented
BRS846-19	The data hub responds with an error message according to the business rule	

Content in information flows

From retailer

From Terms and definitions	C	M
Grid tariff ID	D	0..1
Metering grid area ID	D	0..1

From data hub

From Terms and definitions	C	M
Grid tariff ID	R	1..*
Grid tariff name	R	1..*
Validity date - start	R	1..*
Validity date - end	R	1..*
Additional information	R	1..*
Grid tariff element ID	R	1..*
Grid tariff element name	R	1..*
Unit price	R	1..*
Price unit	R	1..*
VAT rate	R	1..*
Calendar function	R	1..*

The grid owner requests grid tariff information

Purpose

This BRS describes how a grid owner requests registered grid tariff information from the data hub.

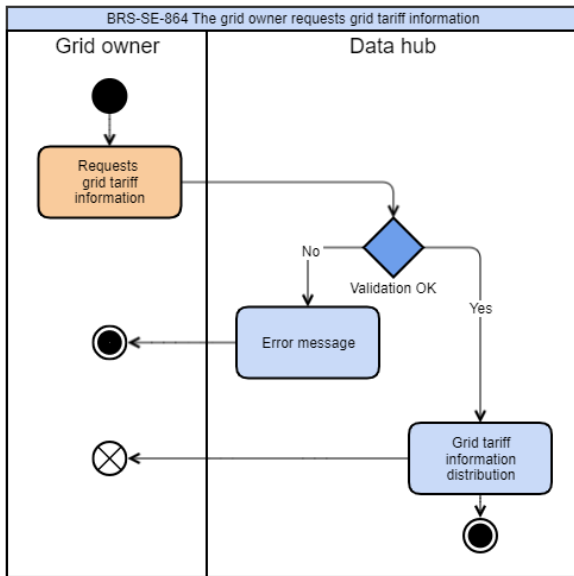


Figure. BRS-SE-864 The grid owner requests grid tariff information

Constraints

Start conditions

Rule #	Description	Implemented
BRS864-2	A grid owner has requested grid tariff information	

Stop conditions

If accepted

Rule #	Description	Implemented
BRS864-5	Grid tariff information for the specific grid tariff identifier has been distributed to the grid owner	
BRS864-6	Grid tariff information for all grid tariffs in the specified metering grid area has been distributed to the grid owner	

If rejected

Rule #	Description	Implemented
BRS864-7	The data hub has responded with an error message according to the business rule	

Business rules

Rule #	Description	Error message	Implemented
BRS864-10	The grid tariff identifier must exist in the data hub	The grid tariff ID does not exist in the data hub	

Flows

Normal flow

Rule #	Description	Implemented
BRS864-15	A grid owner requests grid tariff information	
BRS864-16	The data hub responds with grid tariff information	

Exception flow

Rule #	Description	Implemented
BRS864-19	The data hub responds with an error message according to the business rule	

Content in information flow

From grid owner

From Terms and definitions	C	M
Grid tariff ID	D	0..1
Metering grid area ID	D	0..1

From data hub

From Terms and definitions	C	M
Grid tariff ID	R	1..*
Grid tariff name	R	1..*
Validity date - start	R	1..*
Validity date - end	R	1..*
Additional information	R	1..*
Grid tariff element ID	R	1..*
Grid tariff element name	R	1..*
Unit price	R	1..*
Price unit	R	1..*
VAT rate	R	1..*
Calendar function	R	1..*

The ESCO receives grid tariff information

Purpose

This BRS describes how the data hub distributes grid tariff information to ESCOs connected to an accounting point affected by the updated grid tariff.

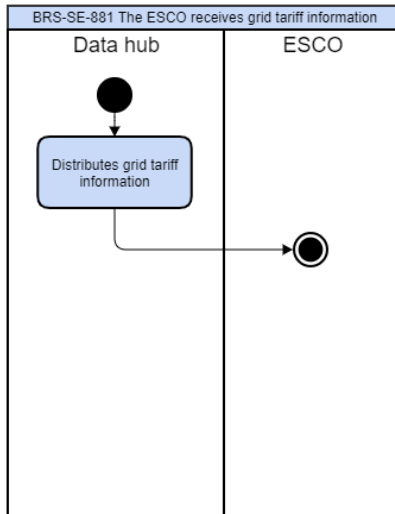


Figure. *BRS-SE-881* The ESCO receives grid tariff information

Constraints

Start conditions

Rule #	Description	Implemented
BRS881-2	BRS-SE-816 Update grid tariff has been executed	

Stop conditions

Rule #	Description	Implemented
BRS881-6	The data hub has sent grid tariff information to ESCOs connected to an accounting point affected by the updated grid tariff	

Business rules

No validation will be done in the data hub for this process since all validation rules will be performed in other processes.

Flows

Normal flow

Rule #	Description	Implemented
BRS881-10	The data hub sends grid tariff information to affected ESCOs	

Exception flow

Rule #	Description	Implemented
BRS881-14	The data hub responds with an error message according to the business rule	

Content in information flows

From data hub

From Terms and definitions	C	M
Grid tariff ID	R	1
Grid tariff name	R	1
Validity date - start	R	1
Validity date - end	R	1
Additional information	R	1
Grid tariff element ID	R	1..*
Grid tariff element name	R	1..*
Unit price	R	1..*
Price unit	R	1..*
VAT rate	R	1..*
Calendar function	R	1..*
Validity date - start	R	1..*
Validity date - end	R	1..*

Reviewed: 2020-09-18

The ESCO requests grid tariff information

Purpose

This BRS describes how an ESCO requests registered grid tariff information from the data hub.

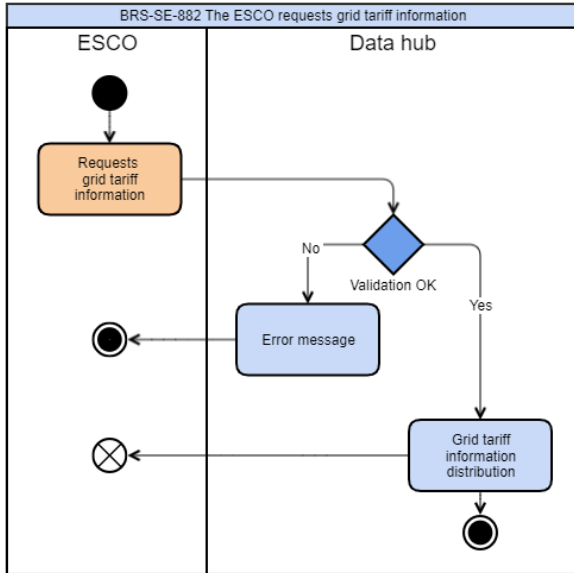


Figure. BRS-SE-882 The ESCO requests grid tariff information

Constraints

Start conditions

Rule #	Description	Implemented
BRS882-2	An ESCO has requested grid tariff information	

Stop conditions

If accepted

Rule #	Description	Implemented
BRS882-5	Grid tariff information for the specific grid tariff identifier has been distributed to the ESCO	
BRS882-6	Grid tariff information for all grid tariffs in the specified metering grid area has been distributed to the ESCO	

If denied

Rule #	Description	Implemented
BRS882-7	The data hub has responded with an error message according to the business rule	

Business rules

Rule #	Description	Error message	Implemented
BRS882-10	The grid tariff identifier must exist in the data hub	The grid tariff ID does not exist in the data hub	

Flows

Normal flow

Rule #	Description	Implemented
BRS882-15	A retailer requests grid tariff information	
BRS882-16	The data hub responds with grid tariff information	

Exception flow

Rule #	Description	Implemented
BRS882-19	The data hub responds with an error message according to the business rule	

Content in information flows

From ESCO

From Terms and definitions	C	M
Grid tariff ID	D	0..1
Metering grid area ID	D	0..1

From data hub

From Terms and definitions	C	M
Grid tariff ID	R	1..*
Grid tariff name	R	1..*
Validity date - start	R	1..*
Validity date - end	R	1..*
Additional information	R	1..*
Grid tariff element ID	R	1..*
Grid tariff element name	R	1..*
Unit price	R	1..*
Price unit	R	1..*
VAT rate	R	1..*
Calendar function	R	1..*